



# PAJ Gold Series

NTEP Certified Jewelry Balance

Test Equipment  
Depot  
1-800-517-8431

99 Washington Street  
Melrose, MA 02176  
Phone 781-665-1400  
Toll Free 1-800-517-8431

Visit us at [www.TestEquipmentDepot.com](http://www.TestEquipmentDepot.com)



## The Best Gold Jewelry Balances for Basic Weighing

The OHAUS PAJ Gold Series of precision jewelry balances are designed for basic routine weighing in general and legal-for-trade jewelry applications. With the right combination of performance and features, the OHAUS PAJ Gold Series offers uncomplicated performance for all of your basic weighing needs.

### Standard Features Include:

- **Upfront Level Indicator** — The PAJ Gold Series has been designed with an up-front level indicator, which ensures the balance is level prior to use.
- **Selectable Environmental Settings** — Three filter modes and adjustable zero tracking adjust balance sensitivity to environmental disturbances to meet application requirements.

# PAJ Gold Series Jewelry Balance

## Multiple Modes and Weighing Units

Each PAJ Gold Balance can be set-up to weigh in one or more weighing units including grams, carats, ounces, troy ounces, pennyweights and grains. Other weighing units include ticals, tolas, mommes, baht, mesghals. The PAJ Gold Balance Series also includes weighing modes for parts counting and percent weighing, and includes a weigh-below balance hook.

## Upfront Level Indicator Ensures Accuracy

The PAJ has been designed with an up-front level indicator, eliminating the need to look behind the balance during the leveling process. A quick glance at the up-front level indicator helps you ensure that the balance is level prior to each use.



## Selectable Environmental Settings For Working in Practically Any Condition



To help adapt the balance to real life working conditions, the PAJ is designed with selectable environmental settings. When working in harsh environments, the balance can be adjusted to compensate for vibrations and other disturbances. Conversely, the balance can be adjusted for working in slow filling applications where sensitivity is a must.

## Standard Features



### Integral Security

#### Bracket

Allows you to secure your balance to a workstation to prevent unwarranted movement or theft

### RS232 Interface

PAJ Gold's RS232 allows connection to an Ohaus printer or a computer. Sends Balance ID plus spaces for recording User ID, Project ID, time and date

### Integral Menu Lock

A combination of software and a mechanical switch locks menus, including calibration



### Weigh-Below Hook

PAJ Gold's built-in weigh-below hook allows you to suspend an item below the balance to calculate density/specific gravity



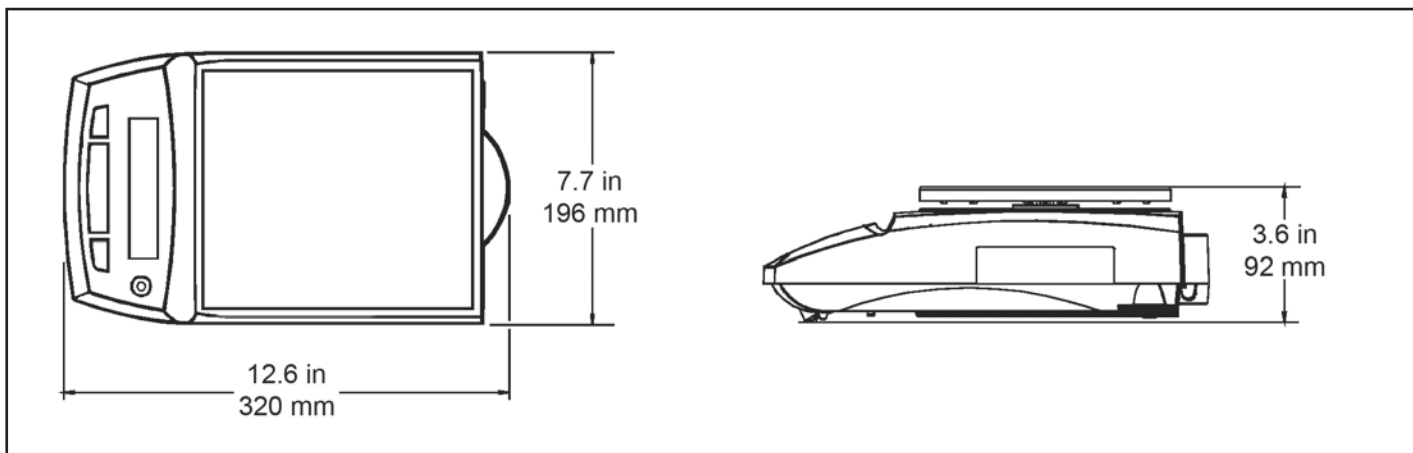
### Up-Front Level Indicator

A quick glance at the up-front level indicator helps to ensure that the balance is level prior to each use

### Multiple Application Modes and Units

PAJ Gold features basic Weighing, Parts Counting and Percent Weighing, and 15 international weighing units including one custom unit

## Outline Dimensions



# PAJ Gold Series Jewelry Balances

Models	PAJ812N	PAJ2102N	PAJ3102N	PAJ4102N	PA4101N
Capacity	810g	2100g	3100g	4100g	4100g
Readability	0.01g				0.1g
Certified Readability	0.1g				
Repeatability (Std Dev)	10mg			100mg	
Linearity	± 30mg			± 100mg	
Application Modes	Weighing, parts counting (with APW optimization)				
Weighing Units	g, lb, ct, oz, dwt, tical, tola, mommes, bhat, grain, mesghal, Newton, ozt		g, kg, lb, ct, oz, dwt, tical, tola, mommes, bhat, grain, mesghal, Newton, ozt		
Platform Size	6.6 x 7.1 in / 16.8 x 18 cm				
Calibration Weight-Span	400 / 800g	1000g / 2000g	2 / 3kg	2 / 4kg	2 / 4kg
Calibration Weight-Linearity	400, 800g	1000, 2000g	2, 3kg	2, 4kg	2, 4kg
Stabilization Time	Within 3 seconds				
Interface	RS232, bi-directional				
Power	AC adapter (included)				
Operating Conditions	14° F / -10° C to 104° F / 40° C at 10% to 80% relative humidity, non-condensing				
Storage Temperature	-40° F / -40° C to 158° F / 70° C at 10% to 80% relative humidity, non-condensing				
Net Weight	7.3 lb / 3.3 kg				
Shipping Weight	11.8 lb / 5.4 kg				
Balance Dimensions (W x H x D)	7.7 x 3.6 x 12.6 in / 19.6 x 9.2 x 32 cm				
Carton Dimensions (L x W x H)	19.5 x 15.5 x 12.8 in / 49.5 x 39.5 x 32.7 cm				

## Other Standard Features and Equipment

AC adapter, user selectable span calibration points, software reset menu, stability indicator, Auto Tare, user selectable communications settings, user selectable printing options, stainless steel platform, weigh-below hook, integral security bracke

## Compliance

Legal for Trade: NTEP Class II, CoC No. 09-043

Safety: FCC (Part 15 Class A), CE (EN 61326 Class A, Criteria A) C Tick N13123 (AS/NZS4251.1, AS/NZS4252.1)

## Accessories

Dot Matrix Printer .....	80252042
Cable kit to connect Dot Matrix Printer to PAJ .....	80252571
Paper for Dot Matrix Printer .....	80251932
Ink Ribbon for Dot Matrix Printer .....	80251933
Thermal Printer .....	80251992
Paper for Thermal Printer .....	80251931
Cable kit to connect Thermal Printer to PAJ .....	80252581
OHAUS Collect Software .....	80500746
TAL Software WinWedge .....	SW12W
RS232 Cable, PC 9 Pin to PAJ .....	80500525
RS232 Cable, PC 25 Pin to PAJ .....	80500524
Auxiliary Display Kit for PAJ .....	PAD7
Security Device for PAJ .....	76288-01

## Industry Leading Quality and Support

All OHAUS PAJ balances are manufactured under an ISO 9001:2008 Registered Quality Management System. Our rugged construction and stringent quality control have been hallmarks of all OHAUS products for over a century.